

THIS DRAWING IS UNPUBLISHED. RELEASED FOR PUBLICATION FEB ,2006.

© COPYRIGHT 2006 BY TYCO ELECTRONICS CORPORATION. ALL RIGHTS RESERVED.

LOC	DIST	REVISIONS					
E	B	P	LTR	DESCRIPTION	DATE	DWN	APVD
		C		ECR-06-002568	06FEB06	JMS	FWK

NOTES:

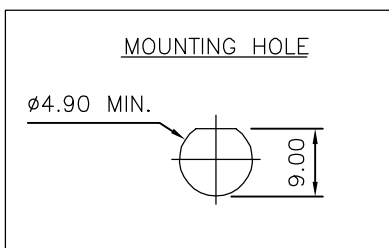
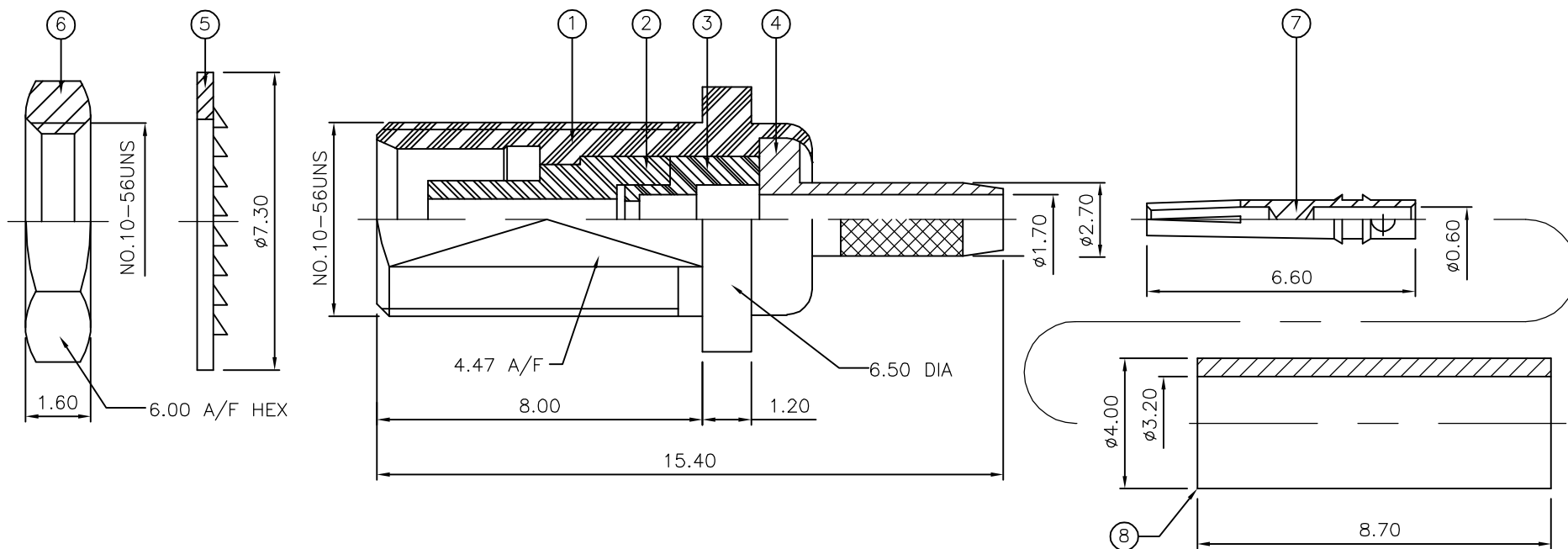
- ① PACK IN ACCORDANCE WITH AMP SPEC 107-3275
- ② 100 TRAY PACK IN ACCORDANCE WITH AMP SPEC 107-3275
- ③ Au PLATING

- 4 HAND TOOL : 9-1478240-0
- 5 DIE SET : 9-1478248-0

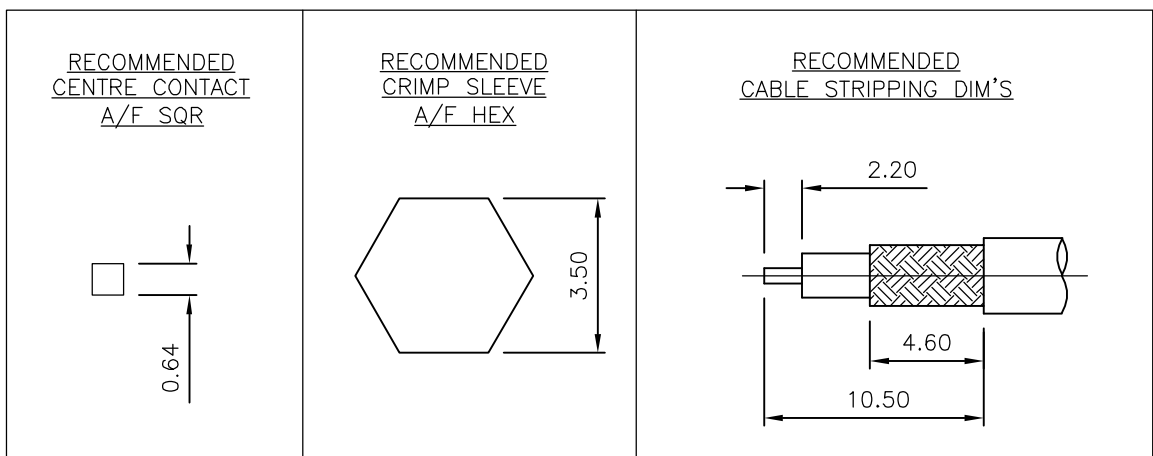
- 6 ELECTRICAL CHARACTERISTICS
 - FREQUENCY RANGE: DC - 6 GHz
 - NOMINAL IMPEDANCE: 50 Ohm
 - INSULATION RESISTANCE: 1000 MOhm
 - WORKING VOLTAGE: 335 Volts RMS at Sea Level
 - DIELECTRIC WITHSTAND VOLTAGE: 1000 Volts RMS Max
 - CONTACT RESISTANCE:
 - CENTRE CONTACT: 5.00 mOhm Max
 - OUTER CONTACT: 1.00 mOhm Max
 - VSWR @ 4GHz: 1.35:1 Max
 - INSERTION LOSS dB @ x 1.0 GHz: 0.10 Max

- 7 MECHANICAL CHARACTERISTICS
 - COUPLING NUT RETENTION FORCE: N/A
 - CABLE RETENTION FORCE:
 - "RG174A/U, 188A/U, 316/U, URM95:" 85N Min
 - "RG178B/U, 196A/U:" 25N Min
 - MOUNT NUT RECOMMENDED TORQUE: 0.75N
 - DURABILITY: 500 Cycles Min

- 8 ENVIRONMENTAL CHARACTERISTICS
 - OPERATING TEMPERATURE: -65 to +165 DegC



QTY	UNIT	MATERIAL	DESCRIPTION	ITEM
1	1	BRASS	FERRULE	8
1	1	BERYLLIUM COPPER	CONTACT	7
1	1	BRASS	HEXAGONAL NUT	6
1	1	BRASS	LOCKWASHER	5
1	1	BRASS	CHASSIS	4
1	1	POLYPROPYLENE	INSULATION	3
1	1	PTFE	INSULATION	2
1	1	BRASS	BODY	1
6--0	1--0	MATERIAL	DESCRIPTION	ITEM
②	①			



THIS DRAWING IS A CONTROLLED DOCUMENT.

DWN J.SANDWELL 06FEB06
 CHK S.PARLOW 06FEB06
 APVD F.WHEELER-KING 06FEB06
 PRODUCT SPEC
 APPLICATION SPEC
 411-3247
 WEIGHT -

tyco Tyco Electronics Corporation
Electronics Bideford EX39 4HE

NAME
 MCX BULKHEAD JACK REAR MOUNT CRIMP 50 OHM
 RG174A/U, 188A/U, 316/U, URM95, KX3B, KX22A

SIZE A3 CAGE CODE 00779 DRAWING NO C-1337588 RESTRICTED TO -

MATERIAL SEE TABLE FINISH -

CUSTOMER DRAWING SCALE NTS SHEET 1 OF 1 REV C